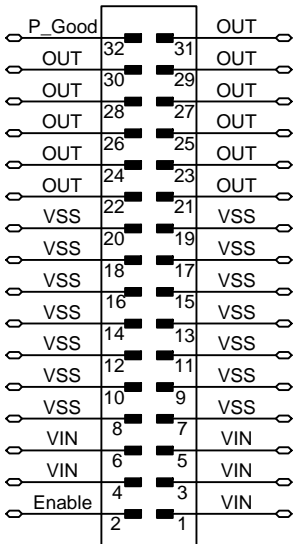
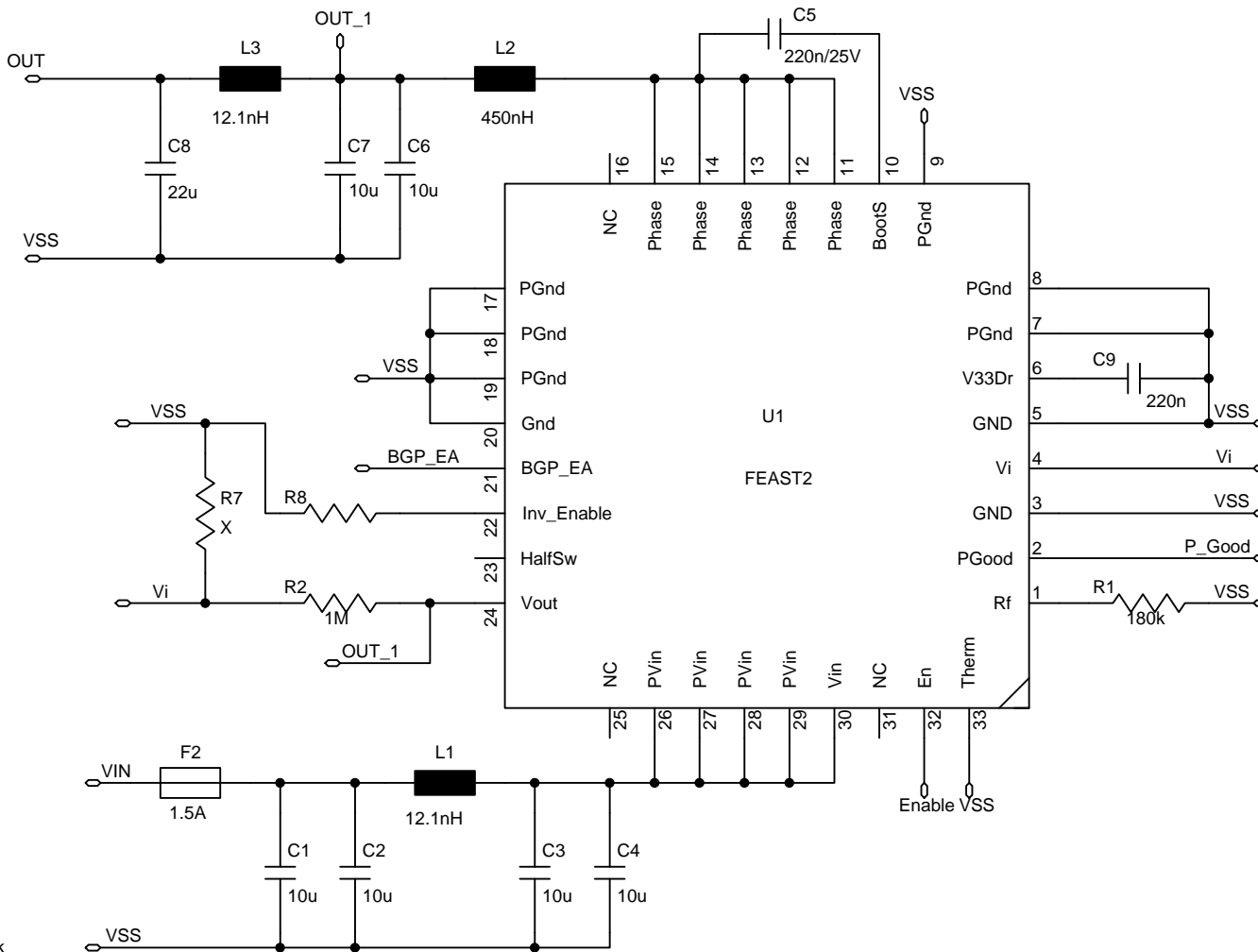
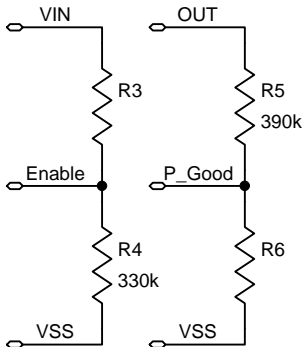


Z1 $\xrightarrow{\text{VSS}}$
MountingHole_0.80mm1.10mm

Z2 $\xrightarrow{\text{VSS}}$
MountingHole_0.80mm1.10mm



X1
FTE-116-03-G-DV-ES_Male



P_Good Digital R5=390K and R6=1M
P_Good Analog R5=390K and R6= N.A.
Enable Low Active R3=N.A. and R8=0R
Enable High Active R3=1M and R8=N.A.
R7=205K Uout=3.5V
R7=220K Uout=3.3V
R7=243K Uout=3.0V
R7=324K Uout=2.4V

PIX_V13A

Release 1.0
11-März-2014
Page 1 of 1

I. Physikalisches Institut