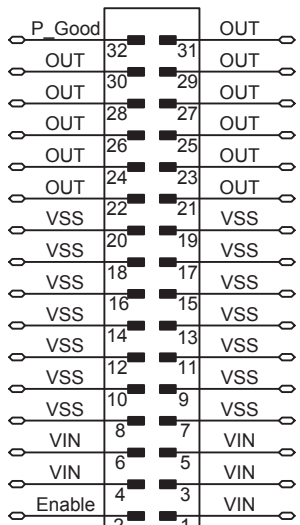
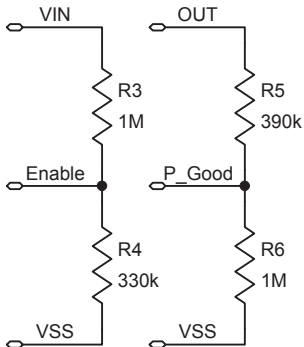


Z1 $\xrightarrow{\text{VSS}}$
MountingHole_0.80mm1.10mm

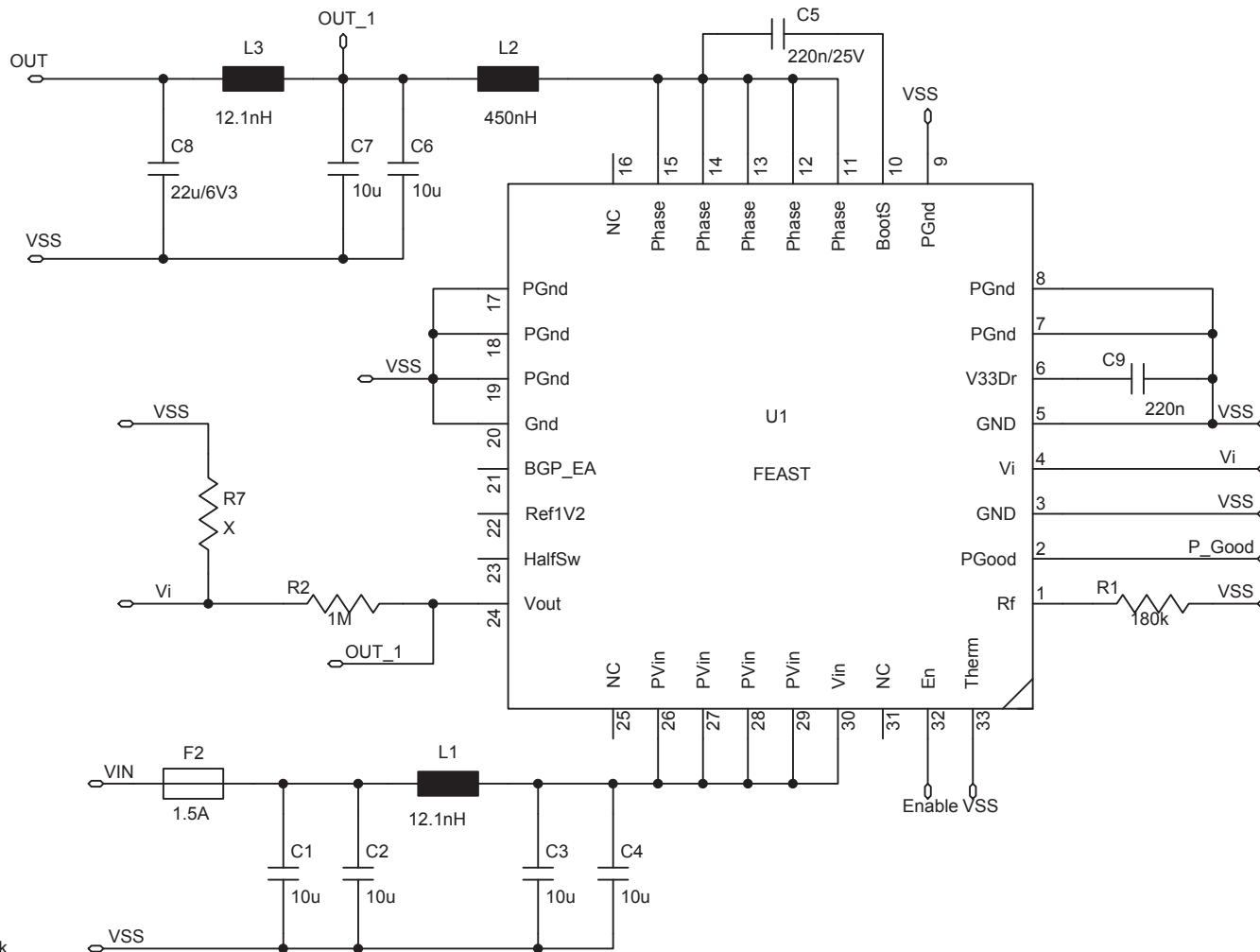
Z2 $\xrightarrow{\text{VSS}}$
MountingHole_0.80mm1.10mm



X1
FTE-116-03-G-DV-ES_Male



P_Good Digital R5=390K / R6=1M
P_Good Analog R5=390K / R6= N.A.
R7=249K Uout=3.0V
R7=332K Uout=2.4V



PIX_V12A

Release 1.0
09-Dez.-2013
Page 1 of 1

I. Physikalisches Institut