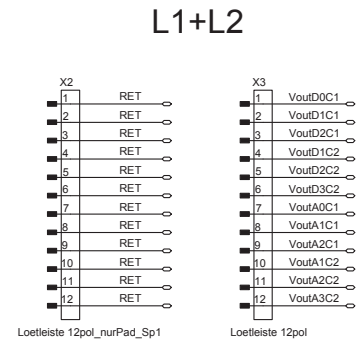


X1
MW-38-03-G-D-218-075-ES-A-P_Male

Segment A-B



Segment B-C