

ConnectorBoard L1&L2 Connectors

CON5		CON4	
GND	1	GND	1
VD 1	3	2	4
GND	5	4	6
VD 1	7	6	8
GND	9	8	10
VD 1	11	10	12
GND	13	12	14
VD 2	15	14	16
GND	17	16	18
VD 2	19	18	20
GND	21	20	22
VD 2	23	22	24
GND	25	24	26
VD 3	27	26	28
GND	29	28	30
VD 3	31	30	32
GND	33	32	34
VD 3	35	34	36
GND	37	36	38
+2.5V	39	38	40
GND	41	40	42
+2.5V	43	42	44
GND	45	44	46
+2.5V	47	46	48
GND	49	48	50
+2.5V	51	50	52
GND	53	52	54
VA 1	55	54	56
GND	57	56	58
VA 1	59	58	60
GND	61	60	62
VA 2	63	62	64
GND	65	64	66
VA 2	67	66	68
GND	69	68	70
VA 3	71	70	72
GND	73	72	74
VA 3	75	74	76
GND	77	76	78
GND	79	78	80
		2	4
		4	6
		6	8
		8	10
		10	12
		12	14
		14	16
		16	18
		18	20
		20	22
		22	24
		24	26
		26	28
		28	30
		30	32
		32	34
		34	36
		36	38
		38	40
		40	42
		42	44
		44	46
		46	48
		48	50
		50	52
		52	54
		54	56
		56	58
		58	60
		60	62
		62	64
		64	66
		66	68
		68	70
		70	72
		72	74
		74	76
		76	78
		78	80

Molex
52991-0808

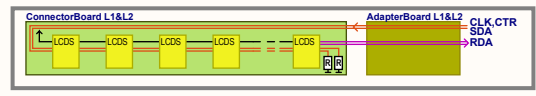
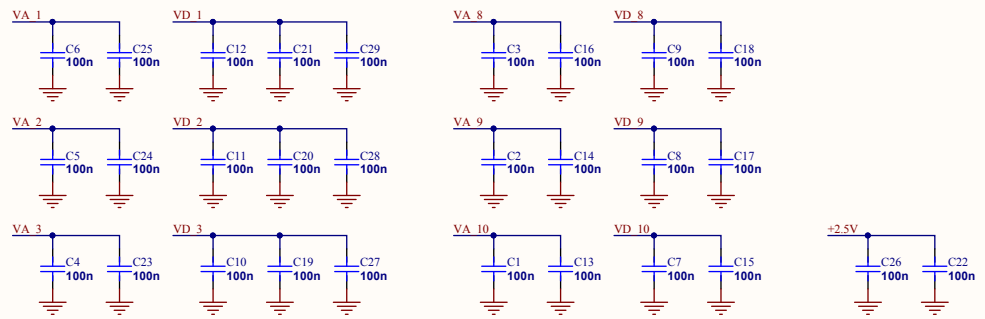
Maximum current per contact: 0.5A

Molex
52991-0808

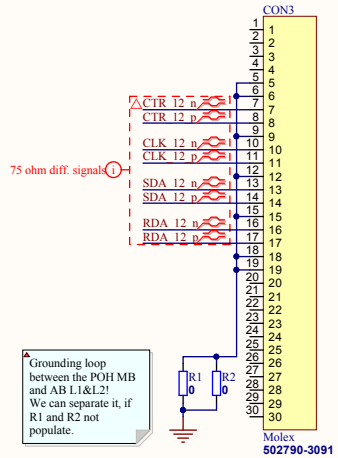
Current on connector pins

VA_1: 0,48A	VD_1: 1,32A
VA_2: 0,48A	VD_2: 1,32A
VA_3: 0,48A	VD_3: 1,32A
VA_8: 1,44A	VD_8: 2,24A
VA_9: 0,96A	VD_9: 1,496A
VA_10: 1,44A	VD_10: 2,24A

Low Voltage Polygons Decoupling Capacitors

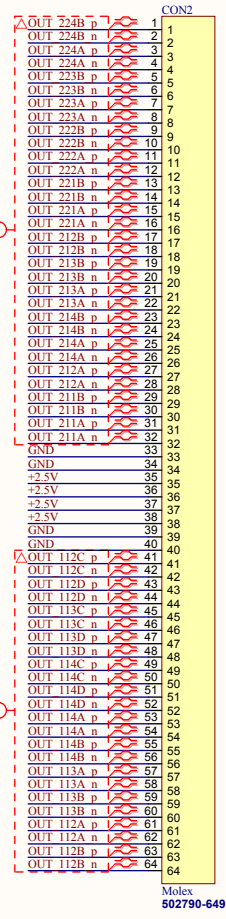


DOH MB Connector



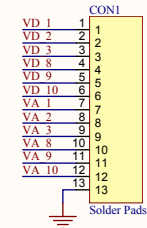
Molex
502790-3091

POH MB Connector



Molex
502790-6491

ExtensionBoard L1&L2 Connector



Wigner FK. Budapest, Hungary www.wigner.hu	Title: AdapterBoard L1&L2 v1.1.3.PrjPCB General schematic document template		
	Size: A3	Scale: -	Document Number: 1.1
Designer: T. Tolyhi	Modified: 2015.08.27.	Printed: 2015.10.13.	Revision: 1.1
Approved:	File: AdapterBoard L1&L2 v1.1.SchDoc		Sheet: 1 of 1