

12 V

PIC Controller-BOX for 10 GHZ LINK-TX DH2VA / DF7IT 09/2000

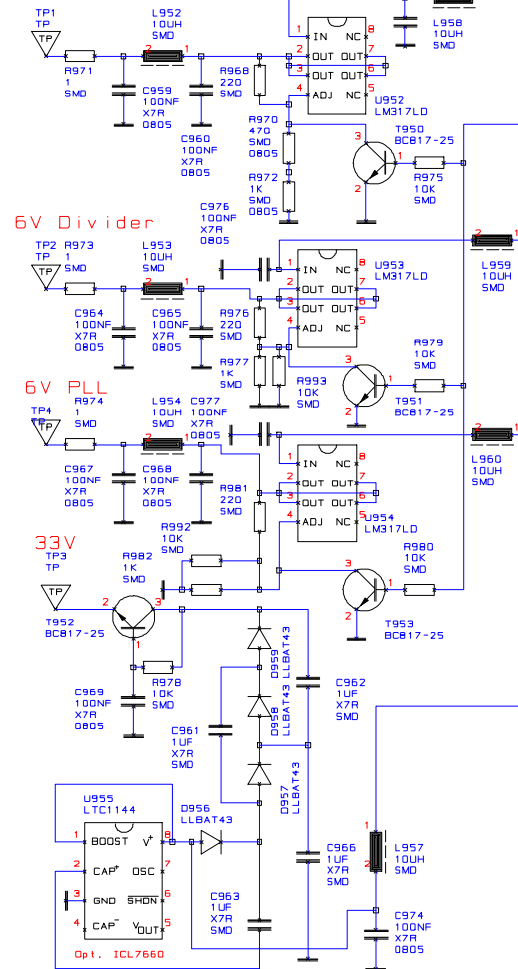
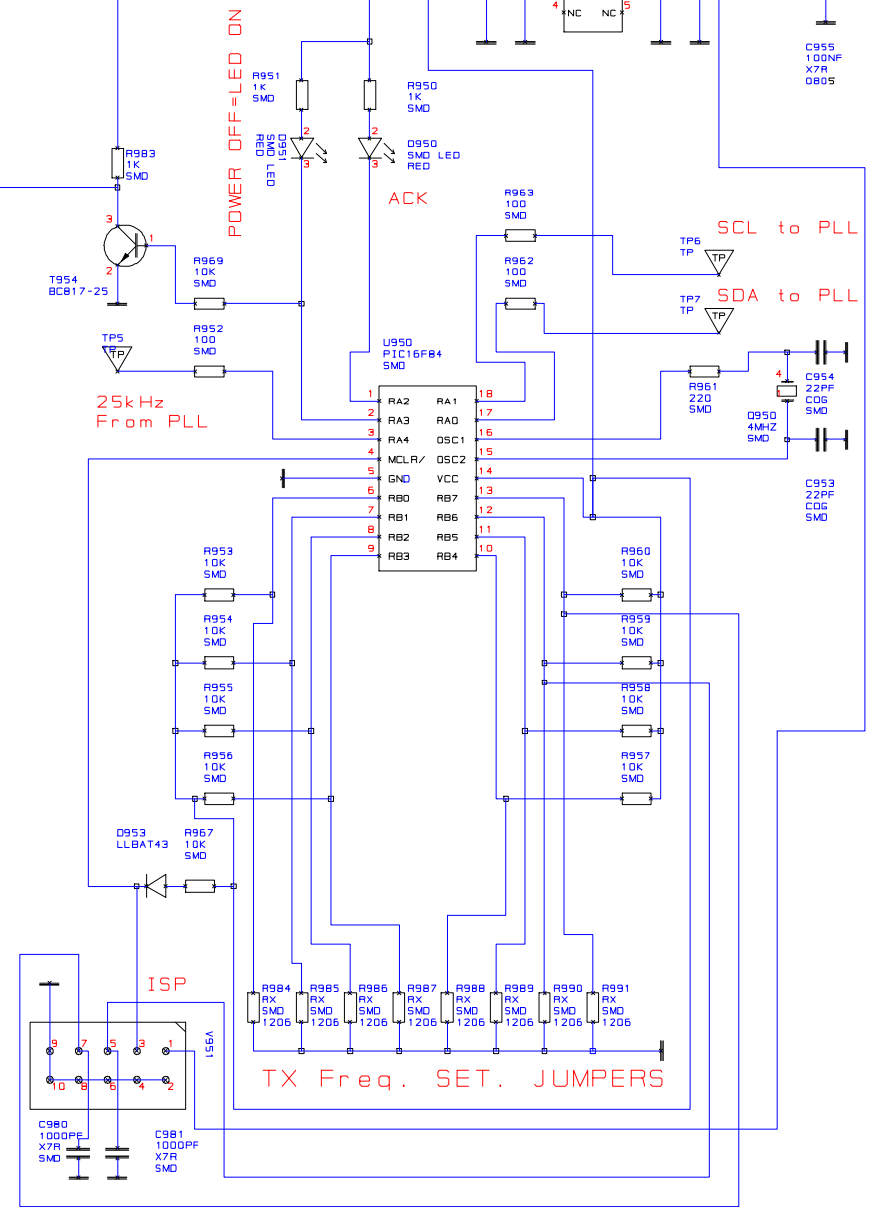
12V

9V PA/OSC

6V Divider

6V PLL

3.3V



POWER OFF=LED ON

25kHz From PLL

ISP

TX Freq. SET. JUMPERS

ACK
SCL to PLL
SDA to PLL

